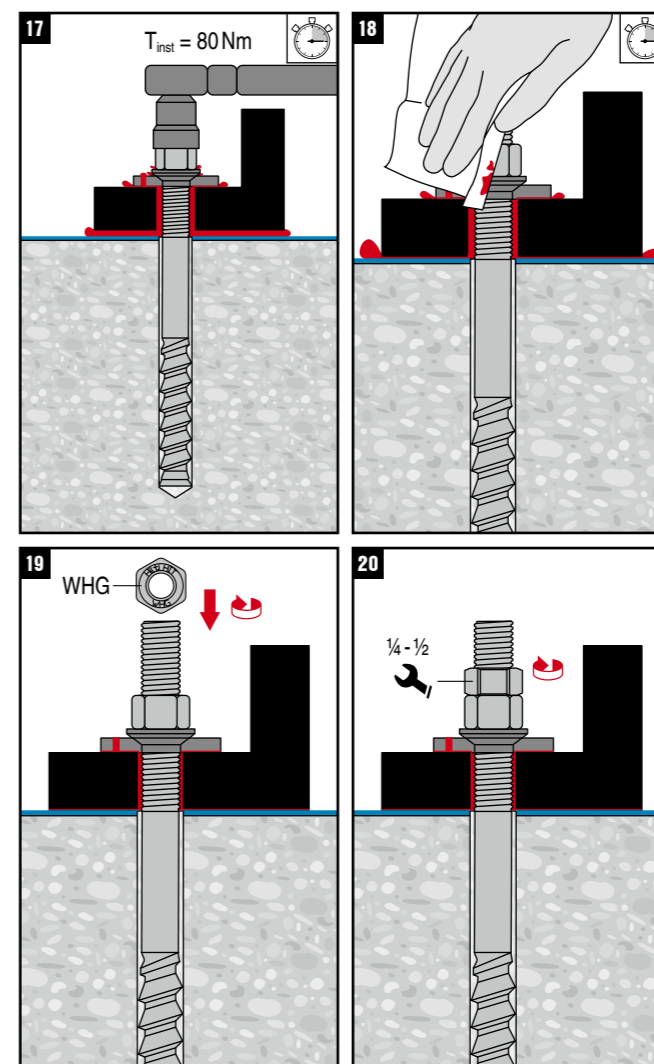
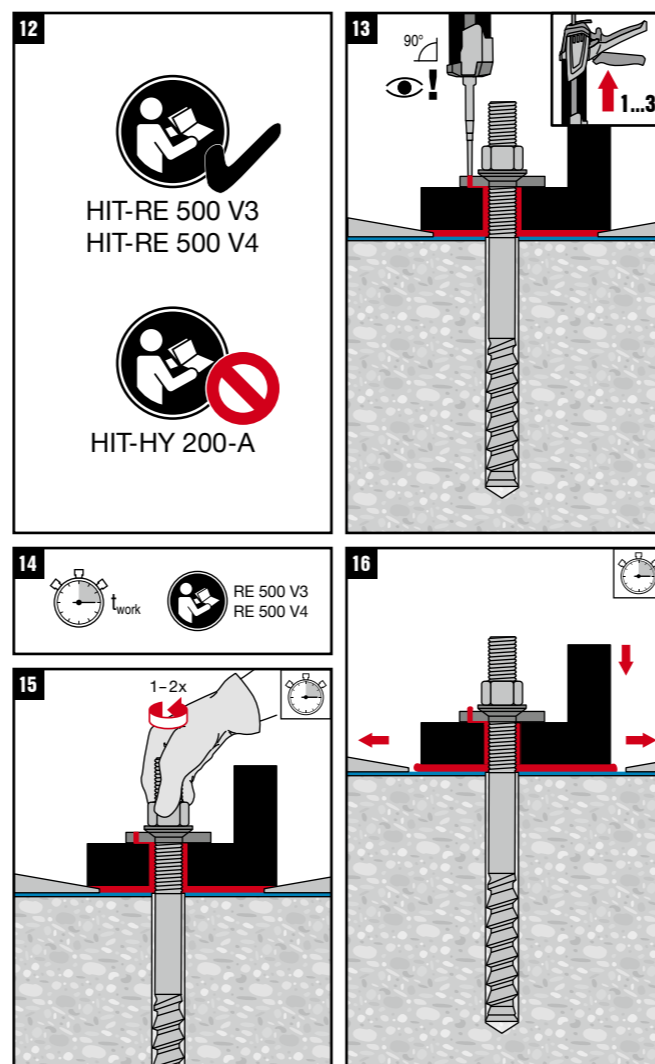
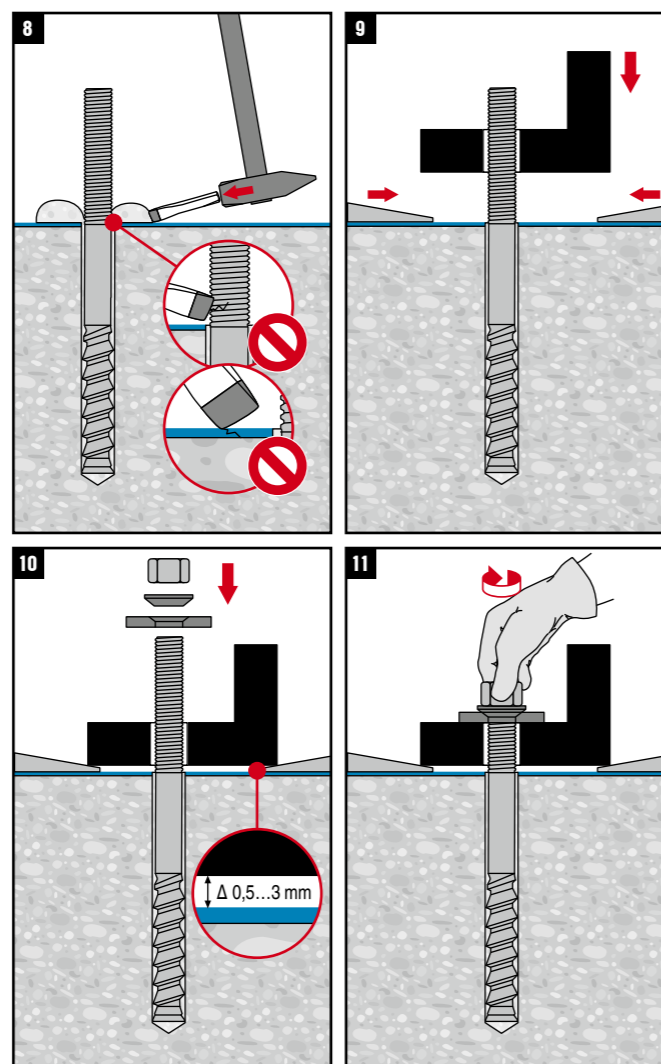
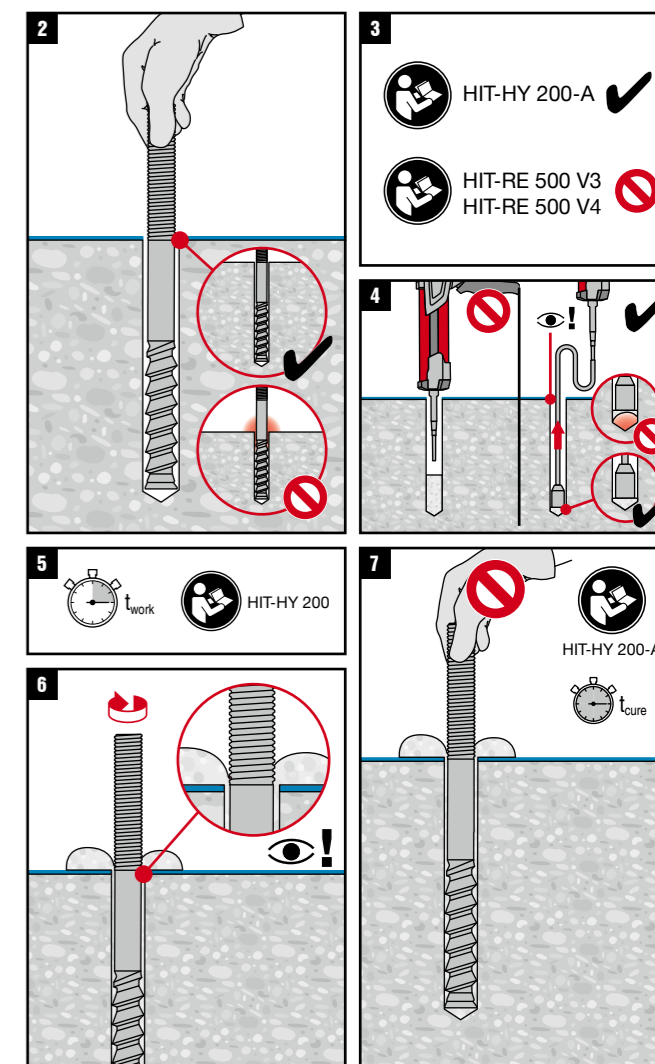
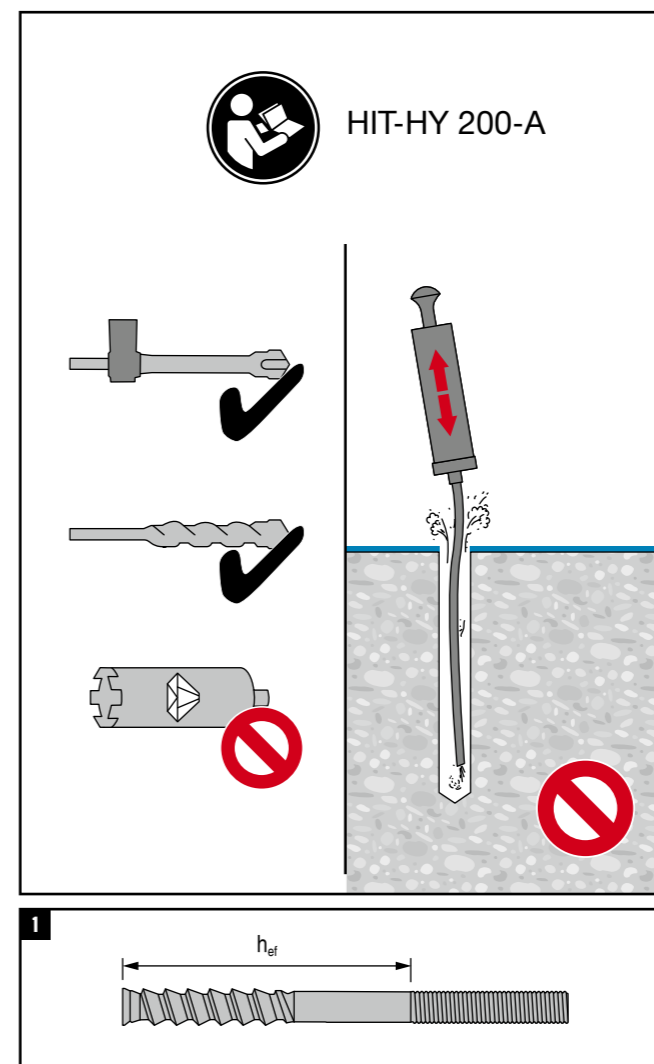
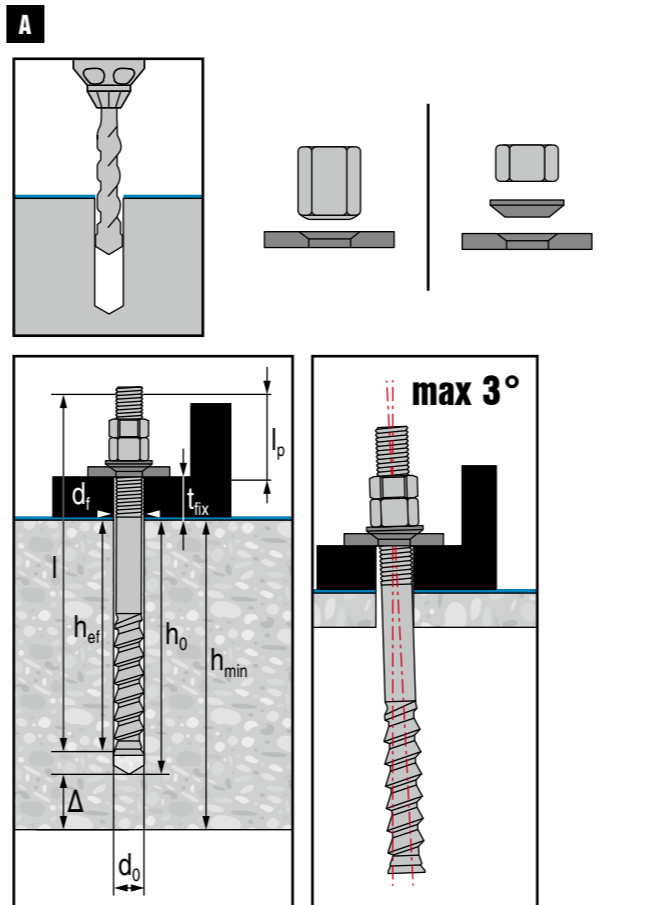
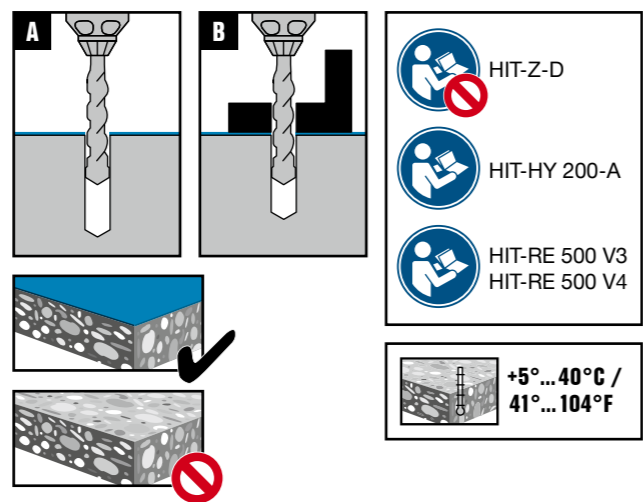
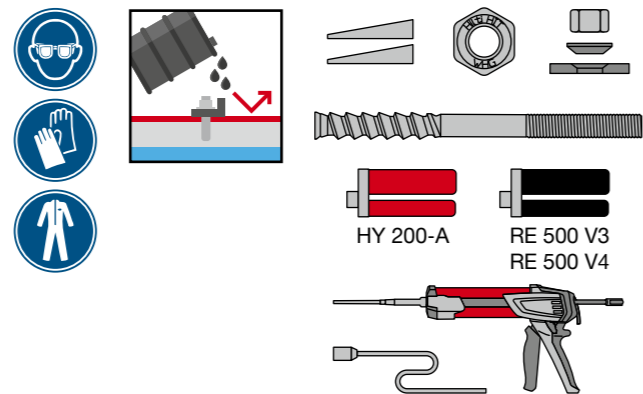
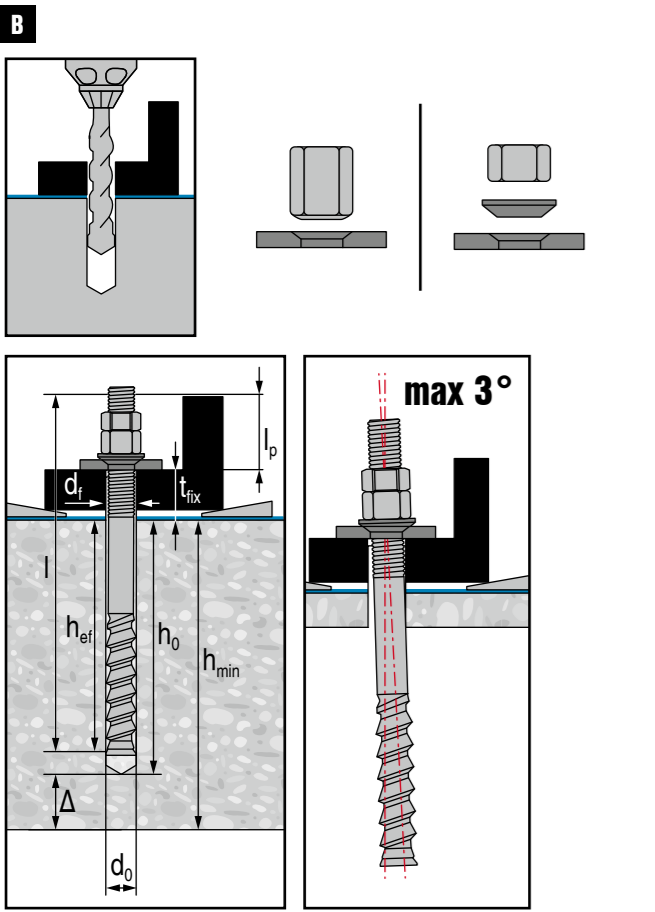


HIT-Z-D M16 / WHG





d_0 [mm]	d_f [mm]	h_{ef} [mm]	l_p [mm]	Δ [mm]	h_{min} [mm]	t_{fix} [mm]	T_{inst} [Nm]	SW [mm]
18	20	125	≥ 40	$2 \times d_0$	160	$l - 160 \geq 10$	80	24

