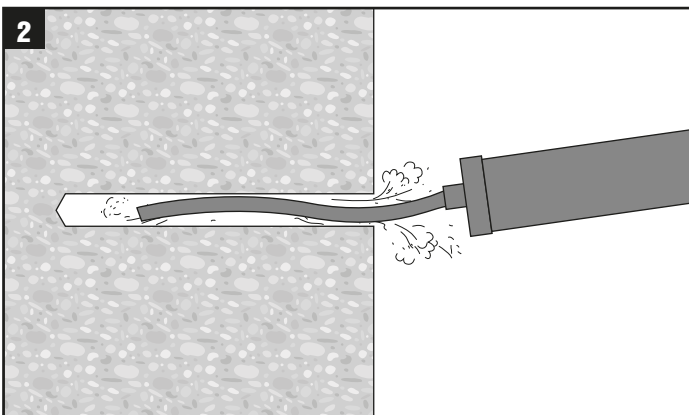
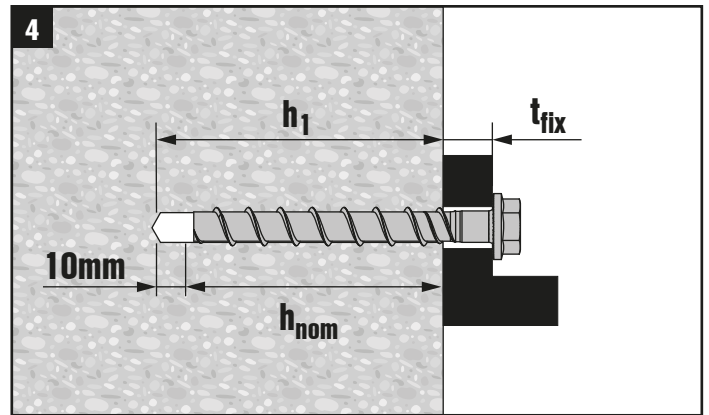
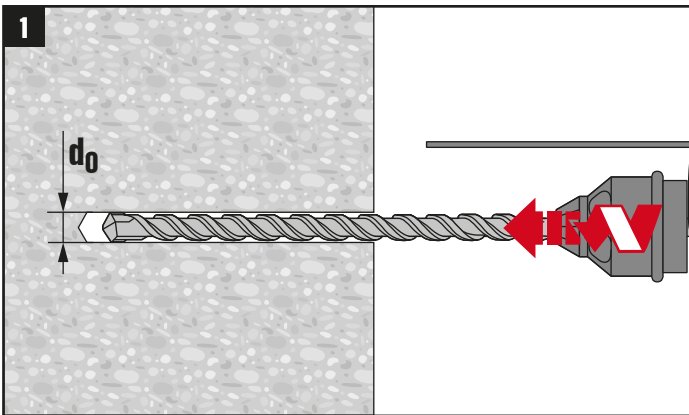


| | | | |
|--|-----------|--|-----------------------------|
| | | | d_0 |
| | SIW 22T-A | | $\varnothing 14 \text{ mm}$ |



5 HUS3-HF 14

| | $h_{nom1}=65\text{mm}$ t_{fix1} | $h_{nom2}=85\text{mm}$ t_{fix2} |
|--------|--------------------------------------|--------------------------------------|
| 14x75 | 10 mm | - |
| 14x100 | 35 mm | 15 mm |
| 14x150 | 85 mm | 65 mm |

