

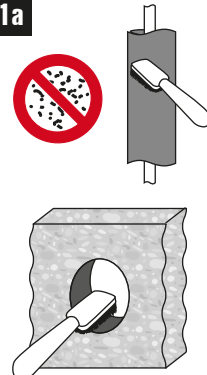


QR

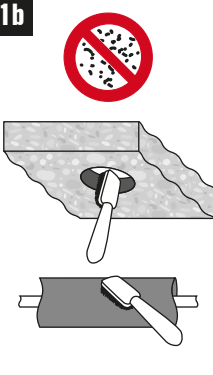
www.hilti.group
EN: <http://fsselector.hilti.com>



1a



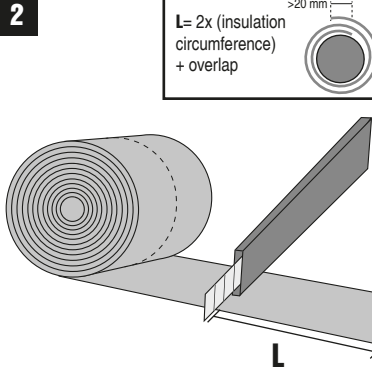
1b



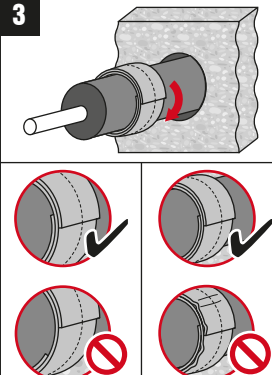
2

L = 2x (insulation circumference) + overlap

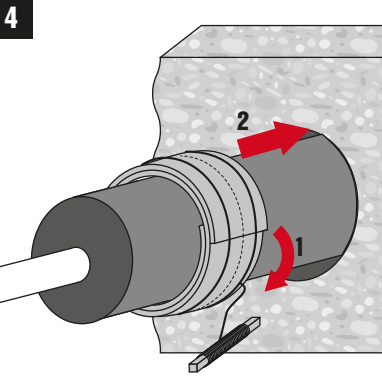
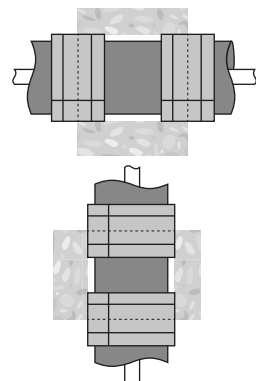
>20 mm



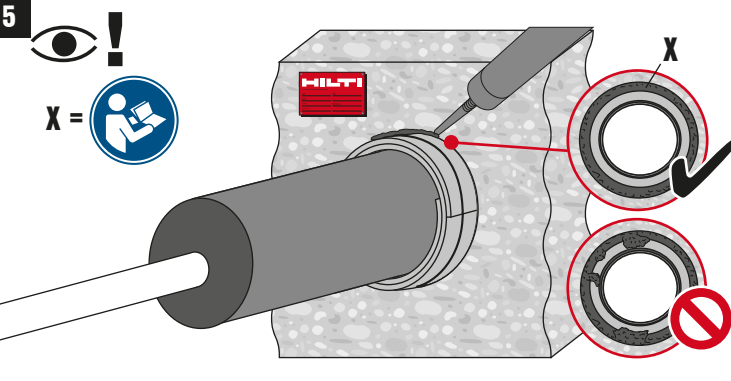
3



4

5



X = 